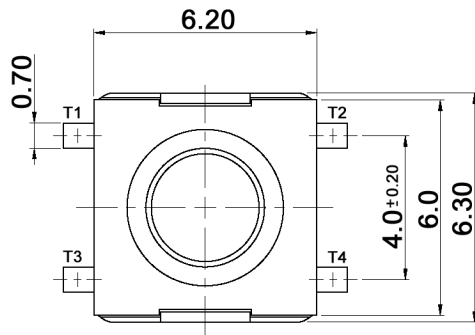
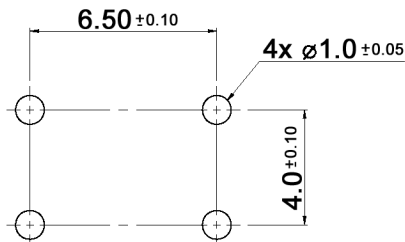
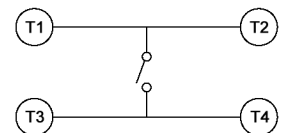


P.C.B. LAYOUT



CIRCUIT DIAGRAM



Specifications:

- Contact rating: 50mA, 12V DC
- Contact resistance: 100mOhm max.
- Insulation resistance: 100MOhm min. at 500V DC for 1 minute +/-5sec.
- Dielectric strength: 250V AC (50/60Hz) for 1 minute
- Operating temperature: -40°C to +85°C
- Storage temperature: -40°C to +85°C
- Electrical life: 500 000 cycles
- Operating force: 160 +/-50gf
- Soldering conditions: wave soldering: 260°C, 5 sec.
- Sealing: IP67 rated
- Material:
 - Cover: stainless steel
 - Stem: high-temp. thermoplastic nylon UL94V-0
 - Contact: stainless steel, silver cladding
 - Terminal: brass, silver plated
 - Base: high-temp. thermoplastic nylon UL94V-0, molded black

Compliance: RohS III (2015/863/EU)

Tolerances: max. ±0.20mm	Date	Name
		09/21
Modifications	Date	Name

TSE 66 N

30 46 96

knitter-switch

Page

1/1